



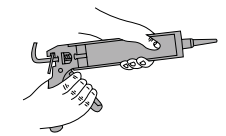
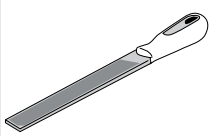
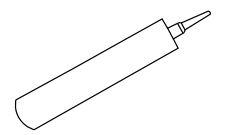
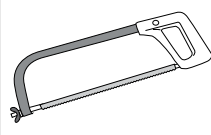
## Lustrolite® Edge Profiles

# Introduction

The Lustrolite edge profiles are designed to integrate with Lustrolite panels. The edge profiles will reduce installation time and deliver a highly professional and durable finish.

All four profile types are designed to be bonded to the panel using neutral cure silicone so they can move with the panel during thermal expansion and contraction. **DO NOT** fix the edge profiles to the wall.

## Tools Required for Installation

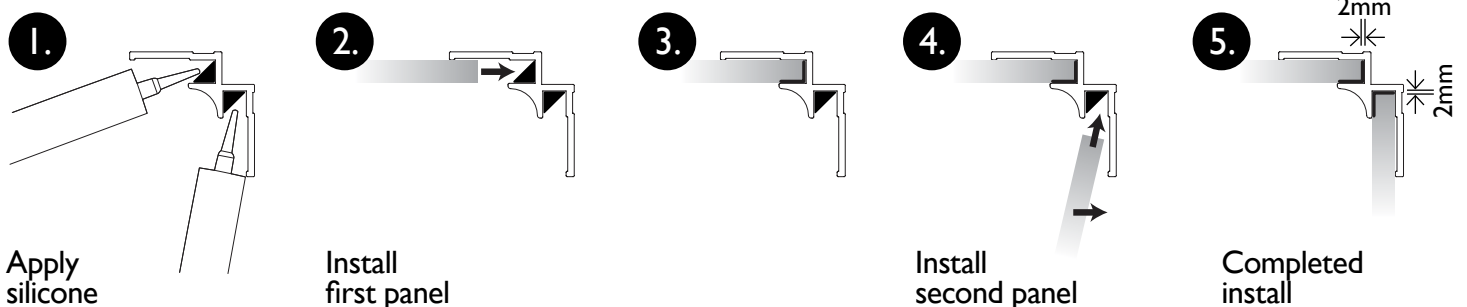
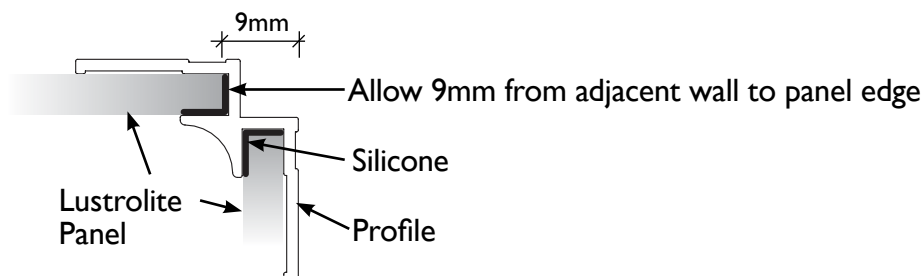
	Silicone Caulking Gun		Medium File
	Neutral Cure Silicone		Fine Toothed Hacksaw

## Preparation

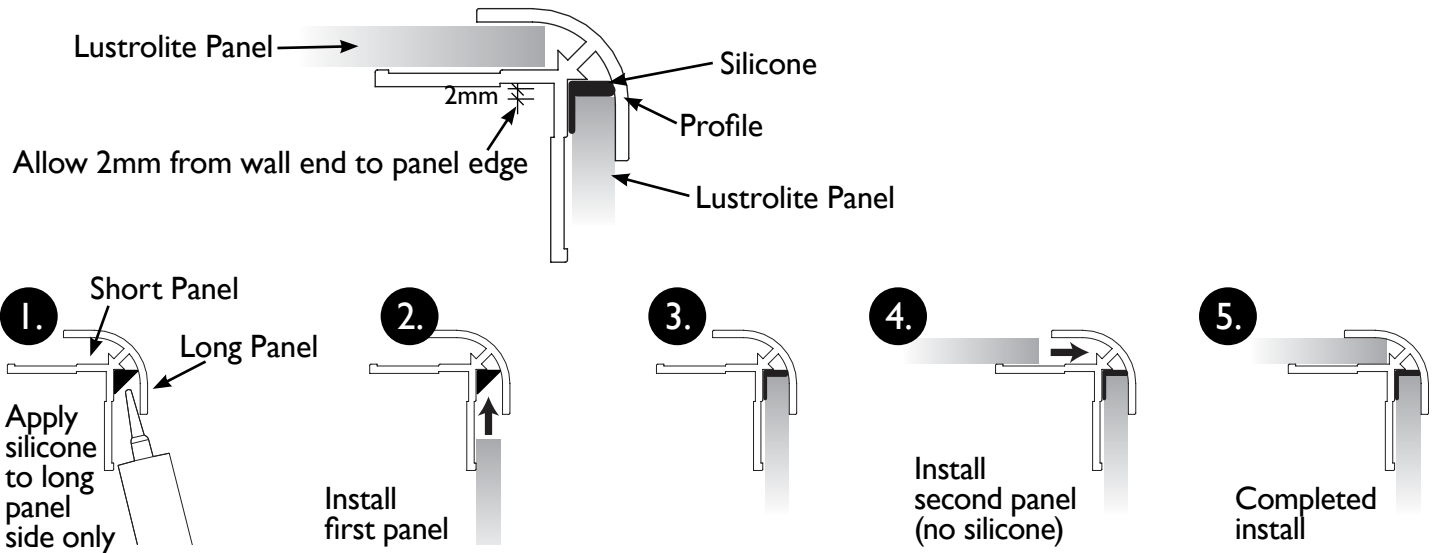
1. Cut the edge profiles to the same length as the panel using the hacksaw
2. De burr and smooth the cut ends using the medium file
3. Apply 3 mm high silicone bead to the base of the profile channel along the entire length of the profile
4. Position the profile on to the panel as shown in the individual profile install sequences
5. Wipe off any excess silicone immediately after panel install
6. Leave to cure for 24 hours before use.

---

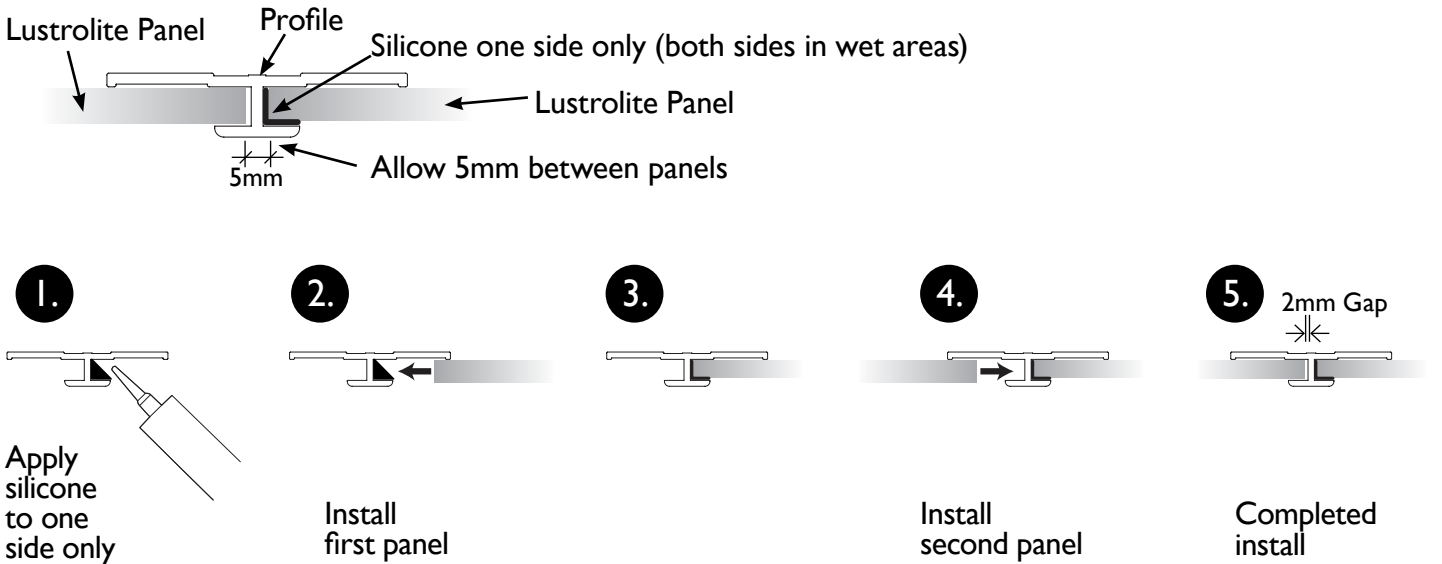
## INTERNAL CORNER PROFILE



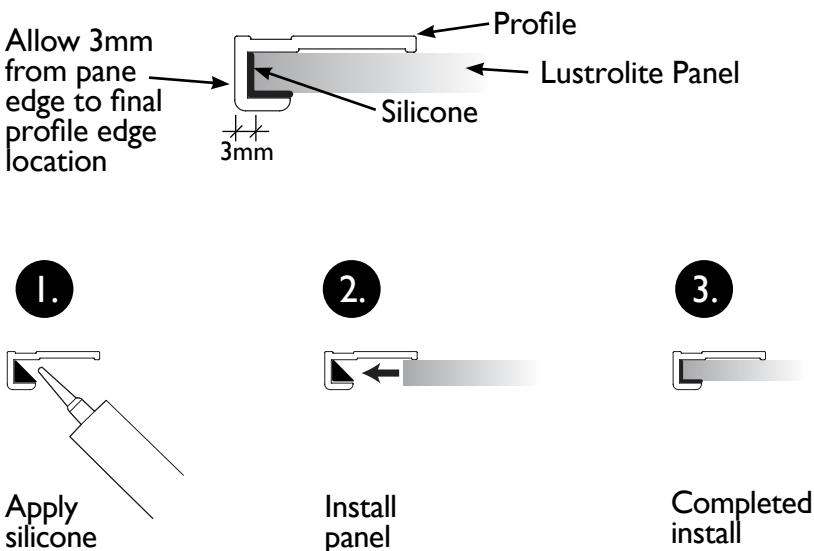
# EXTERNAL CORNER PROFILE



# STRAIGHT JOINT PROFILE

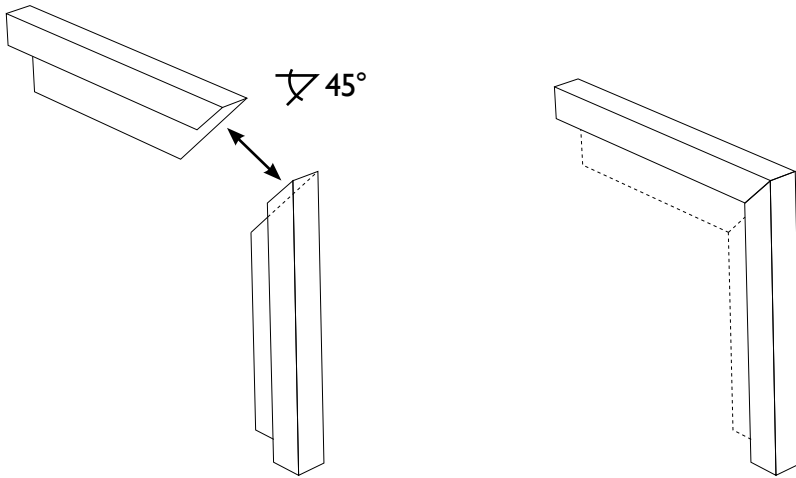


# EDGE CAP PROFILE

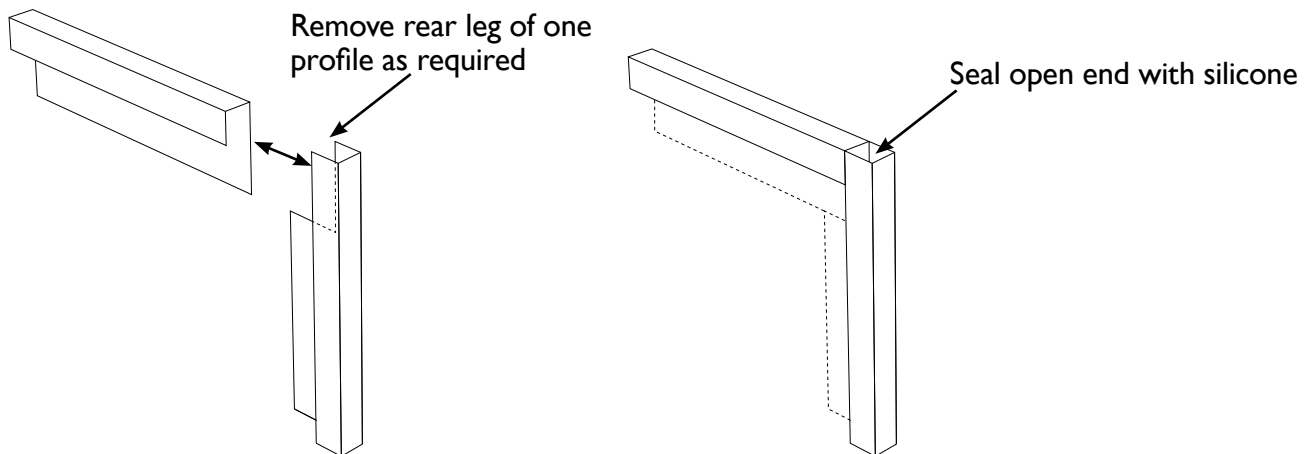


# PERIMETER CORNER JOINTS

## MITRE JOINTS



## NOTCHED JOINTS



For more information visit [www.Lustrolite.com](http://www.Lustrolite.com)

© Copyright / Patent Pending 2012

Oakmoore Pty Ltd ABN: 13 056 159 570, trading as EGR.